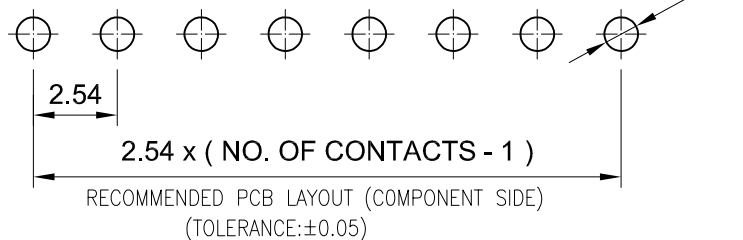
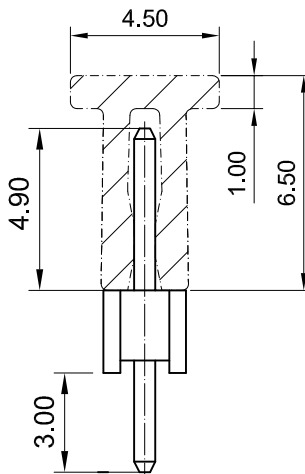
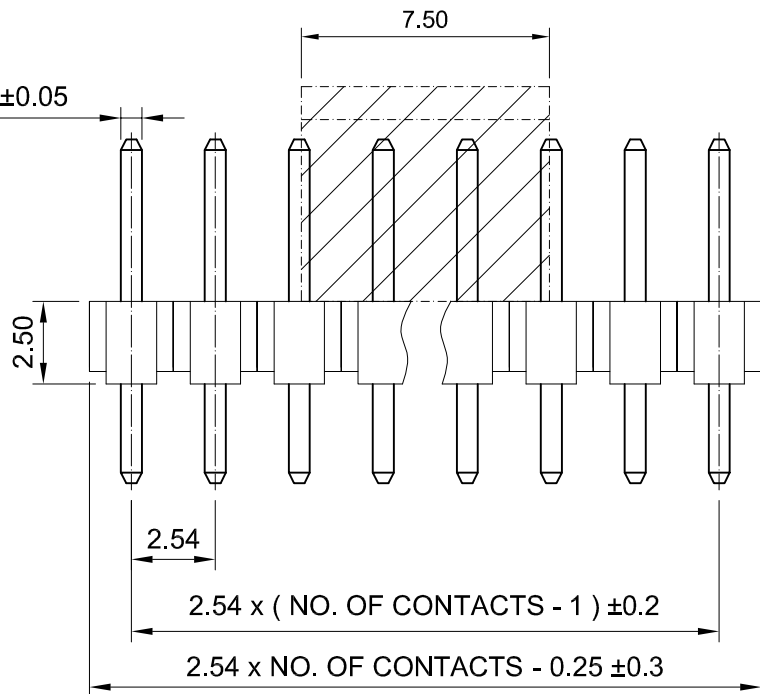


SQ 0.64±0.05



NOTES:

- 1.MATERIAL:
 - 1.1 HOUSING: SEE TABLE
 - 1.2 CONTACTS: SEE TABLE
 - 1.3 COVER: SEE TABLE
- 2.FINISH:
 - 2.1 CONTACT: SEE P/N
- 3.THE CONNECTOR IS RoHS COMPLIANT.
- 4.BURR IS 0.5mm MAX.
- 5.SPEC. PLS. REFER TO PS-60002-XXXXX-XXX
- 6.PACKAGE PLS. REFER TO 60184-XXXXX-XXX-PCK
- 7.P/N: 60184-XXX X X-001

CKTS 002~012 PINS

PACKING 3: BAG 7: TAPE & REEL WITH COVER

PLATING: 1:GOLD FLASH OVER ALL

NO	DESCRIPTION	Q'TY	MATERIAL	PLATING & COLOR
C	COVER	1	HIGH TEMP. THERMOPLASTIC	UL 94V-0, BLACK
B	TERMINAL		COPPER ALLOY	SEE P/N
A	HOUSING	1	HIGH TEMP. THERMOPLASTIC	UL 94V-0, BLACK

TOLERANCES: ±0.30

QUALITY SYMBOLS MAJOR Ⓢ CRITICAL Ⓢ	DRAWN BY GU JIA ZHEN	DATE '21/06/28	
GENERAL TOLERANCES (UNLESS SPECIFIED) X. ±0.5 .X ±0.25 XX ±0.15 .XXX ±0.1 ANGLES ±2°	CHECKED BY TENG CHANG HO	DATE '21/06/28	
APPROVED BY KUO JUNG HSUN		DATE '21/06/28	TITLE 2.54mm PIN HEADER CONN. T/H S/R S/T TYPE
UNITS mm	SCALE X : X	SHEET NO. 1 OF 1	SIZE A4 REV A RFQ NO. N/A DWG NO. 60184-XXXXX-XXX